

Ampner ACE™ 300 PV



1500-V string inverter with the highest power rating in the industry



Highlights

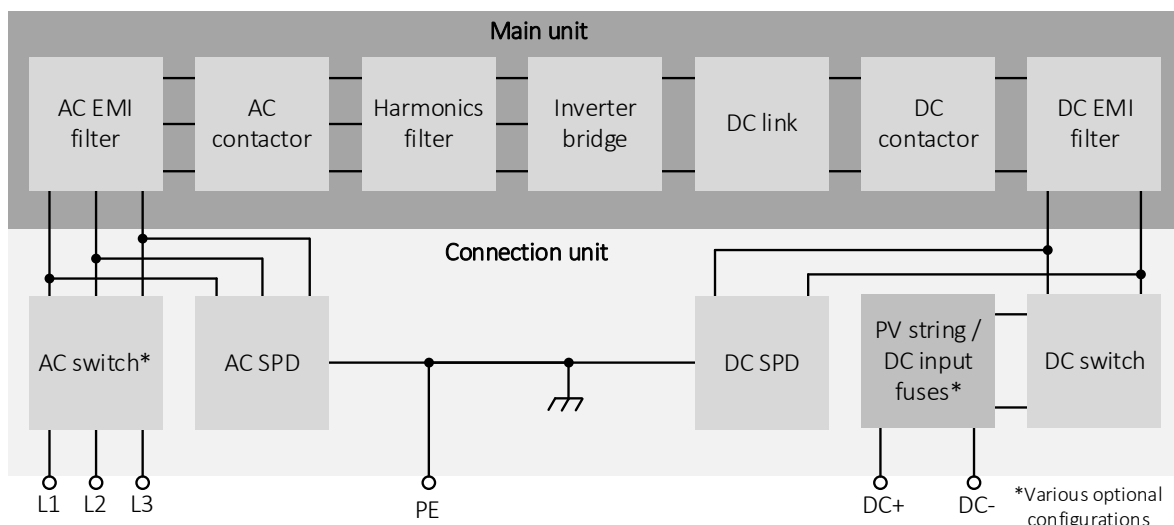
- Maximum operational DC voltage 1500 V
- Power ratings from 260 kW to 333 kW
- Full reactive power generation capability
- IP65 / Type 4 design
- Operating ambient temperature range from -40°C to +60°C (-40°F to +140°F)
- Rugged design for all outdoor conditions
- Easy field handling and assembly in two parts
- Dedicated variants for global (IEC) and North American (UL/CSA) markets

Optional features

- Various AC connection types
- Flexible DC input arrangements for combiner-input or direct string-input systems
- Wide range of DC fuse protection solutions for every need
- Communication interface option
- Optional AC load switch

Contact Ampner sales for a complete list of options and customer tailoring

Circuit Diagram



Model	1560	1563	1566	1569
AC				
Rated power (@ +40°C/+104°F ambient)	261 kVA	274 kVA	288 kVA	300 kVA
Max. power (@ ≤ +30°C/+86°F ambient)	289 kVA	304 kVA	318 kVA	333 kVA
Rated grid voltage (3Ø, line-to-line RMS)	600 V	630 V	660 V	690 V
Continuous operation grid voltage range ¹⁾	-15% to +10%			
Rated AC current (@ +40°C/+104°F ambient)	252 A per phase			
Max. AC current (@ ≤ +30°C/+86°F ambient)	279 A per phase			
AC current distortion	< 3% (THD at rated output power)			
Power factor – default	> 0.99 at rated power			
Operational power factor range ²⁾	0.0 lagging to 0.0 leading			
Stand-by power consumption	≤ 10 W			
Nominal grid frequency (range)	50/60 Hz (± 10 Hz)			
Grid connection type	IT (ungrounded 3-phase + PE)			
DC				
Max. operating input voltage	1500 V			
Min. MPP/operating input voltage	850 V	893 V	935 V	978 V
Max. MPP voltage @ +40°C/+104°F ambient	1200 V			
Max. MPP voltage @ ≤ +30°C/+86°F ambient	1300 V			
Rated input voltage	1050 V			
Max. total operating input current	345 A			
Rated total input current	255 A	270 A	280 A	290 A
Max. PV array short circuit rating	700 A			
Max. DC to AC power ratio	1.73	1.64	1.57	1.50
MPP tracker	1			
Max. amount of string inputs ³⁾	48			
Max. amount of inputs from combiners ⁴⁾	4			
Max. recommended PV power	500 kW peak			
Efficiency				
Max. efficiency	98.7%	98.8%	98.9%	99.0%
CEC efficiency at rated input voltage	98.0%	98.0%	98.5%	98.5%
Euro efficiency, static	98.5%	98.5%	98.6%	98.6%
Installation and Environment				
Total dimensions (H, W, D)	1100 mm x 950 mm x 380 mm (43.3 in. x 37.4 in. x 15.0 in.)			
Weight ⁵⁾	Main unit: 120 kg (264 lb.) Connection unit: 57-70 kg (125-154 lb.)			
Enclosure rating	IP65 (NEMA Type 4)			
Typical/max. acoustic noise level	< 65 dB(A) / < 80 dB(A)			
Operating temperature range	-40°C to +60°C (-40°F to +140°F)			
Humidity	Outdoor conditions			
Storage temperature	-40°C to +70°C (-40°F to +158°F)			
Max. operating altitude ⁷⁾	4000 m (13,000 ft.) above sea level			
Cooling concept	Forced air, variable speed fan			
Wall or frame mounting position	Vertical			
Ancillary Features				
Insulation resistance condition detection	Integrated			
Load switches	DC: Integrated, AC: Optional			
Communications ^{7), 8)}	Modbus TCP/IP over twisted pair or fiber optic			
Compliance ⁹⁾				
Safety	CE marking, IEC/EN 62109-1, IEC/EN 62109-2, UL 1741, UL 62109-1, NEC 2017, CSA C22.2 No. 107.1, CSA C22.2 No. 62109-1:16			
Grid code	VDE-AR-N 4110, UL 1741.SA (Grid Support Utility Interactive Inverter), IEEE 1547, etc.			
EMC	CE marking, IEC/EN 62920, FCC Part 15 Class A (radiated emission)			
Efficiency	IEC/EN 61683, EN 50530, CEC listing			

¹⁾ Ride-through characteristic and additional limitations according to the grid code applied, ²⁾ Limitations according to the grid code applied, ³⁾ With string input option, ⁴⁾ With combiner input option, ⁵⁾ Depending on selected product configuration, ⁶⁾ Contact Ampner for characteristics above 1000 m (3300 ft.), ⁷⁾ Media converter option, ⁸⁾ Configurable information models including SunSpec, ⁹⁾ Pending